

20gal. Huskee™ Receptacle

Detailed Description: #2000 20 gallon round receptacle
Material: Linear Low Density Polyethylene
Classifications: OSHA, FDA, USDA, & NSF
Optional Accessories: Optional #2001 Huskee Round Lid, #3255 Round Dolly, #3155 Maid Caddy, #3175 Caddy Bag
Capacity: 20 gal. (US)
Available Colors: Blue, Grey, White, Recycle
Pack Quantity: 6 Each / Pack
Shipping Weight: 38.75 lbs.
Pack Cube: 13.06 ft.
Modular Quantity: 4 Packs / Mod
TI x HI: 4 x 1

Which Huskee receptacles are NSF: Standard 21 rated?
 All bases and lids, except 55 gallon, BackSaver & SuperKan.

Which Huskee receptacles are NSF: Standard 2 rated?
 Grey and white bases & lids, except 55 gallon, BackSaver & SuperKan.

Which Huskee receptacles are FDA and USDA approved?
 All our Huskee receptacles, from 10 to 55 gallon (except SuperKan), are made of FDA compliant material. USDA requirements for material approval are satisfied by a certification of FDA compliance.

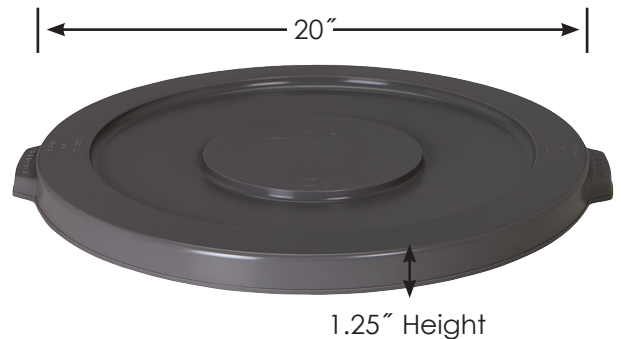
What temperature range can a Huskee withstand?
 0 -190° F for NSF rated items, 0 - 205° F for all other Huskee receptacles.

What material are Huskee receptacles made of? LLDPE

Can you store wine in a Huskee? We recommend against using a Huskee, or other plastic waste receptacles, for wine storage. During the fermenting progress, the taste of plastic can pass into the wine.



Optional #2001 Huskee Lid



Optional #3255 Huskee Dolly

